

FIAMM



HIGHLITE

VRLA RANGE FLB

TECHNICAL FEATURES

- ▶ **Plates and Grids:** plates and grids designed for optimal high rate discharges for UPS applications.
- ▶ **Separators:** micro porous glass mat facilitates recombination and immobilizes the electrolyte.
- ▶ **Terminals:** threaded female M6 or M8 terminal posts provide for high conductivity, maximum torque retention and easy installation.
- ▶ **Post Seals:** state of the art post seals prevent acid seepage over a wide temperature range .
- ▶ **Safety Valve:** each cell has its own one way valve that opens at 5 psi and closes at 3 psi to allow excess gas to escape in case of over-charging.
- ▶ **Container and Cover:** made from thick walled ABS plastic and designed for unsurpassed mechanical strength, the cases and covers have an LOI greater than 28% and meet the flame retardancy standards of UL94 V-0.
- ▶ **Flame Arrestor Device:** lets excess gas out while preventing any errant spark or flame from entering the battery.

APPLICATIONS

- ▶ UPS Systems
- ▶ Emergency Power



PRODUCT FEATURES

- ▶ Valve Regulated Lead Acid.
- ▶ AGM (Absorbed Glass Mat) Technology.
- ▶ DOT compliant for shipping as non hazardous, non spillable.
- ▶ UL Recognized
- ▶ High Performance
- ▶ Design Life : 10+ years on float in temperature controlled environments
- ▶ High Reliability
- ▶ Power Range from 100 to 475 Watts per cell

HIGHLITE FLB batteries have been specifically designed to give optimal standby performance for applications requiring high-rate discharges. FIAMM **HIGHLITE** FLB batteries are Valve Regulated Lead Acid type with the electrolyte absorbed in microporous glass fiber separator.

HIGHLITE FLB batteries can be installed in cabinets or in racks with minimum installation space, due to the high energy density characteristics of the family.

FIAMM has a program of continuous improvement investing in manufacturing processes, equipment and technology.

FIAMM's Standby Battery manufacture conforms to ISO 9001 and ISO 14001 quality standards. Our continuous investment in battery technology is reflected by means of premium products that are of the highest quality and reliability.

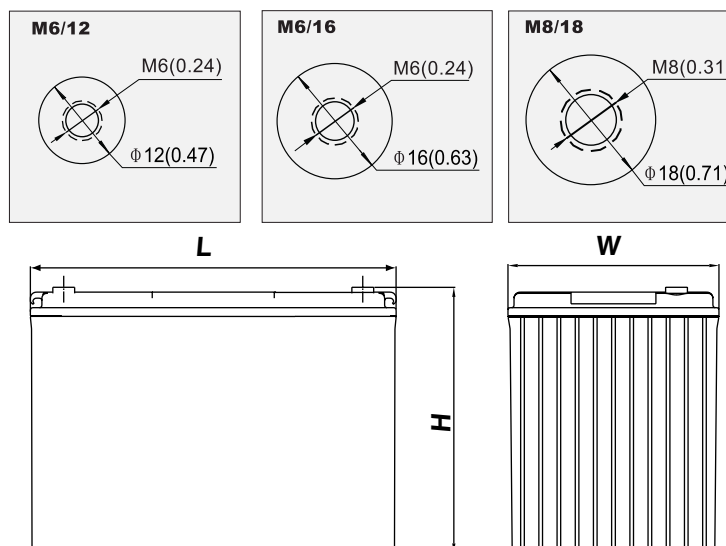
Standby Batteries

HIGHLITE**VRLA RANGE FLB****FIAMM****ELECTRICAL CHARACTERISTICS**

- ▶ **FLOAT VOLTAGE CHARGE AT 77°F** : 13.62V/Bloc
- ▶ **FLOAT VOLTAGE COMPENSATION WITH TEMPERATURE** : -8.3 mV/°F per bloc
- ▶ **TERMINAL TORQUE SETTINGS** : 26-35 inch lbs. (3-4 Nm) for M6/12, 62-80 inch lbs. (7-9 Nm) for M6/16, 88-106 inch lbs. (10-12 Nm) for M8/18
- ▶ **SELF DISCHARGE** : <2% per month at 77°F

FLB Technical Data

BATTERY TYPE	NOMINAL VOLTAGE (V)	POWER PER CELL (W) 15 Min to 1.67 Vpc at 77°F	CAPACITY Ah 20 hrs to 1.75 Vpc at 77°F	WEIGHT lbs./(kg)	DIMENSIONS in/(mm)			TERMINALS
					Length	Width	Height	
12 FLB 100	12	100	26	18.7/(8.5)	6.54/(166)	6.89/(175)	4.92/(125)	M6/12
12 FLB 150	12	142	40	30.8/(14.0)	7.75/(197)	6.49/(165)	6.69/(170)	M6/16
12 FLB 200	12	200	55	40.7/(18.5)	9.01/(229)	5.43/(138)	8.34/(212)	M6/16
12 FLB 250	12	250	70	51.7/(23.5)	10.71/(272)	6.53/(166)	7.67/(195)	M8/18
12 FLB 300	12	300	75	59.4/(27.0)	10.28/(261)	6.85/(174)	8.62/(219)	M8/18
12 FLB 350	12	350	90	68.2/(31.0)	11.89/(302)	6.85/(174)	8.62/(219)	M8/18
12 FLB 400	12	400	100	75.9/(34.5)	13.42/(341)	6.85/(174)	8.62/(219)	M8/18
12 FLB 450	12	450	115	84.7/(38.5)	14.92/(379)	6.85/(174)	8.62/(219)	M8/18
12 FLB 500	12	475	135	102.3/(46.5)	13.58/(345)	6.77/(172)	11.02/(280)	M8/18

FLB Terminal types**FIAMM**

www.fiammamerica.com



HIGHLITE

VRLA RANGE FLB

CONSTANT POWER DISCHARGE DATA

Constant Power Discharge Data Watts per cell to 1.60 Vpc at 77°F

Battery Type	Discharge Time (minutes)																	
	5	10	15	20	25	30	45	60	90	120	180	240	300	360	480	600	720	1200
12 FLB 100	170	128	102	82.4	68.5	58.7	41.9	32.8	22.9	18.3	12.8	9.97	8.34	7.18	5.68	4.75	4.05	2.55
12 FLB 150	242	180	145	120	102	88.8	64.5	50.4	34.9	27.6	19.7	15.4	12.8	11.0	8.73	7.28	6.24	3.92
12 FLB 200	337	255	205	167	141	123	88.4	69.4	48.8	39.1	27.7	21.6	18.0	15.4	12.1	10.0	8.58	5.35
12 FLB 250	435	324	258	210	179	156	112	88.1	61.1	48.4	34.1	26.7	22.3	19.3	15.3	12.7	10.9	6.80
12 FLB 300	527	389	308	248	207	178	127	99.2	67.0	51.9	36.8	28.8	24.1	20.7	16.4	13.7	11.7	7.35
12 FLB 350	612	450	360	289	239	204	147	115	79.2	62.3	44.1	34.5	28.9	24.8	19.6	16.4	14.0	8.82
12 FLB 400	703	519	411	331	276	237	170	132	89.4	69.2	49.1	38.4	32.1	27.6	21.8	18.2	15.6	9.80
12 FLB 450	785	578	462	370	306	262	188	148	102	79.9	57.2	45.2	38.1	32.9	25.7	20.9	17.9	11.3
12 FLB 500	828	633	502	414	355	309	223	176	120	93.4	66.2	51.8	43.3	37.3	29.5	24.6	21.1	13.2

Constant Power Discharge Data Watts per cell to 1.65 Vpc at 77°F

Battery Type	Discharge Time (minutes)																	
	5	10	15	20	25	30	45	60	90	120	180	240	300	360	480	600	720	1200
12 FLB 100	165	126	101	81.3	67.8	58.3	41.6	32.7	22.8	18.1	12.7	9.93	8.29	7.13	5.63	4.71	4.04	2.55
12 FLB 150	236	176	142	118	101	88.0	63.6	49.9	34.6	27.4	19.6	15.3	12.8	11.0	8.70	7.25	6.19	3.92
12 FLB 200	324	249	202	165	140	121	87.8	69.1	48.6	39.0	27.6	21.5	17.9	15.4	12.1	9.97	8.51	5.31
12 FLB 250	418	316	253	208	177	155	112	87.7	60.9	48.2	34.0	26.6	22.3	19.2	15.2	12.7	10.8	6.76
12 FLB 300	513	380	305	243	204	174	125	98.0	66.5	51.7	36.6	28.7	24.0	20.6	16.3	13.6	11.6	7.34
12 FLB 350	590	441	356	284	235	203	145	114	78.7	62.0	43.9	34.4	28.8	24.7	19.6	16.3	13.9	8.81
12 FLB 400	684	506	406	324	272	233	167	131	88.6	68.9	48.8	38.2	32.0	27.4	21.7	18.1	15.5	9.79
12 FLB 450	758	566	456	365	301	260	186	147	101	79.6	57.0	45.1	38.0	32.8	25.6	20.8	17.8	11.3
12 FLB 500	783	597	481	398	344	302	220	174	119	93.0	65.9	51.6	43.2	37.0	29.3	24.5	20.9	13.2

Constant Power Discharge Data Watts per cell to 1.67 Vpc at 77°F

Battery Type	Discharge Time (minutes)																	
	5	10	15	20	25	30	45	60	90	120	180	240	300	360	480	600	720	1200
12 FLB 100	162	124	100	80.8	67.5	58.1	41.5	32.6	22.7	18.1	12.7	9.90	8.27	7.12	5.62	4.71	4.03	2.54
12 FLB 150	231	174	142	117	100	87.5	63.2	49.6	34.5	27.4	19.5	15.3	12.8	11.0	8.68	7.24	6.19	3.91
12 FLB 200	318	244	200	164	139	121	87.5	68.9	48.5	38.9	27.5	21.5	17.9	15.3	12.0	9.96	8.51	5.30
12 FLB 250	411	312	250	206	176	154	111	87.5	60.7	48.1	34.0	26.6	22.2	19.2	15.2	12.7	10.8	6.74
12 FLB 300	506	374	300	241	202	173	125	97.4	66.3	51.6	36.5	28.6	24.0	20.6	16.3	13.6	11.6	7.34
12 FLB 350	581	433	350	281	233	201	145	114	78.6	61.9	43.8	34.3	28.7	24.7	19.5	16.3	13.9	8.81
12 FLB 400	675	499	400	322	270	231	166	130	88.3	68.8	48.7	38.1	31.9	27.4	21.7	18.1	15.5	9.79
12 FLB 450	746	556	450	361	300	258	185	146	101	79.4	57.0	45.0	38.0	32.8	25.5	20.8	17.8	11.3
12 FLB 500	765	587	475	394	341	300	218	173	119	92.9	65.7	51.5	43.1	37.0	29.3	24.4	20.9	13.2



FIAMM Technologies LLC, One FIAMM Way, Waynesboro, GA 30830 Tel. 888-77-FIAMM (888-773-4266)

HIGHLITE**VRLA RANGE FLB****FIAMM****CONSTANT POWER DISCHARGE DATA****Constant Power Discharge Data Watts per cell to 1.70 Vpc at 77°F**

Battery Type	Discharge Time (minutes)																	
	5	10	15	20	25	30	45	60	90	120	180	240	300	360	480	600	720	1200
12 FLB 100	157	122	98.8	80.0	67.0	57.7	41.2	32.3	22.6	17.9	12.6	9.87	8.24	7.09	5.60	4.70	4.01	2.54
12 FLB 150	224	170	137	115	99.2	86.8	62.7	49.3	34.3	27.3	19.5	15.2	12.7	11.0	8.67	7.23	6.18	3.91
12 FLB 200	310	238	195	162	138	120	87.0	68.5	48.3	38.8	27.5	21.4	17.8	15.3	12.0	9.94	8.50	5.28
12 FLB 250	401	305	245	205	175	153	111	87.2	60.6	48.0	34.0	26.5	22.2	19.2	15.2	12.6	10.8	6.72
12 FLB 300	497	367	294	238	200	172	123	96.7	65.9	51.5	36.4	28.5	23.9	20.5	16.2	13.6	11.6	7.34
12 FLB 350	567	422	343	276	231	199	144	113	78.3	61.7	43.6	34.2	28.7	24.6	19.5	16.3	13.9	8.80
12 FLB 400	662	489	392	318	266	229	165	129	87.9	68.6	48.5	38.0	31.9	27.4	21.7	18.1	15.5	9.78
12 FLB 450	728	542	440	355	297	255	185	146	100	79.2	56.9	44.9	37.9	32.7	25.5	20.8	17.8	11.2
12 FLB 500	738	572	464	389	336	297	216	171	118	92.6	65.5	51.3	43.0	37.0	29.2	24.4	20.9	13.2

Constant Power Discharge Data Watts per cell to 1.75 Vpc at 77°F

Battery Type	Discharge Time (minutes)																	
	5	10	15	20	25	30	45	60	90	120	180	240	300	360	480	600	720	1200
12 FLB 100	151	118	95.8	78.1	65.8	56.9	40.6	32.0	22.4	17.8	12.6	9.81	8.19	7.05	5.58	4.66	3.98	2.52
12 FLB 150	211	163	132	112	96.8	85.1	62.1	48.9	33.9	26.8	19.2	15.1	12.7	10.9	8.59	7.18	6.13	3.88
12 FLB 200	295	226	185	156	134	118	85.7	67.8	47.9	38.6	27.3	21.3	17.8	15.2	11.9	9.89	8.40	5.26
12 FLB 250	375	291	236	198	171	150	109	86.6	60.2	47.8	33.7	26.4	22.1	19.1	15.0	12.6	10.7	6.69
12 FLB 300	444	342	275	223	189	165	119	94.0	64.9	51.2	36.1	28.4	23.8	20.4	16.1	13.5	11.5	7.27
12 FLB 350	515	400	322	266	223	194	141	111	77.4	61.5	43.4	34.1	28.6	24.5	19.3	16.1	13.8	8.72
12 FLB 400	592	456	366	298	253	219	159	125	86.6	68.3	48.2	37.8	31.7	27.2	21.5	17.9	15.3	9.69
12 FLB 450	661	513	413	341	286	249	181	143	99.4	78.9	56.5	44.7	37.7	32.5	25.3	20.6	17.6	11.2
12 FLB 500	666	528	436	371	323	285	211	167	116	92.2	65.1	51.0	42.8	36.7	29.0	24.2	20.7	13.1

Constant Power Discharge Data Watts per cell to 1.80 Vpc at 77°F

Battery Type	Discharge Time (minutes)																	
	5	10	15	20	25	30	45	60	90	120	180	240	300	360	480	600	720	1200
12 FLB 100	143	113	91.4	75.4	64.0	55.6	39.7	31.4	21.9	17.5	12.4	9.67	8.09	6.96	5.54	4.63	3.95	2.48
12 FLB 150	193	153	126	108	93.3	82.3	60.4	47.8	33.3	26.4	19.0	14.9	12.5	10.8	8.53	7.13	6.08	3.81
12 FLB 200	276	213	178	150	130	114	83.7	66.5	47.2	38.1	27.1	21.1	17.6	15.1	11.8	9.79	8.31	5.20
12 FLB 250	349	272	226	192	167	147	108	85.3	59.5	47.4	33.4	26.2	21.9	18.9	14.9	12.5	10.6	6.62
12 FLB 300	376	298	247	206	179	158	115	91.4	63.8	50.8	35.8	28.0	23.5	20.2	16.0	13.4	11.4	7.14
12 FLB 350	441	356	290	245	212	186	138	110	76.3	60.7	42.9	33.6	28.2	24.2	19.2	16.0	13.7	8.57
12 FLB 400	501	397	329	274	239	210	154	122	85.0	67.7	47.7	37.4	31.3	27.0	21.3	17.8	15.2	9.52
12 FLB 450	566	456	372	314	271	239	177	141	98.0	77.8	55.5	44.1	37.4	32.2	25.1	20.5	17.5	11.0
12 FLB 500	597	481	404	348	308	274	207	165	115	91.0	64.4	50.5	42.3	36.3	28.8	24.1	20.5	12.9

FIAMM

www.fiammamerica.com

FIAMM

HIGHLITE

VRLA RANGE FLB

CONSTANT POWER DISCHARGE DATA

▶ Constant Power Discharge Data Watts per cell to 1.85 Vpc at 77°F

Battery Type	Discharge Time (minutes)																	
	5	10	15	20	25	30	45	60	90	120	180	240	300	360	480	600	720	1200
12 FLB 100	130	103	84.5	70.5	60.3	52.5	38.1	30.0	21.1	16.9	12.0	9.32	7.75	6.68	5.32	4.42	3.77	2.38
12 FLB 150	173	140	117	99.6	86.6	76.7	56.9	45.2	31.7	25.4	18.2	14.4	12.2	10.5	8.29	6.92	5.91	3.66
12 FLB 200	243	196	166	140	121	107	79.2	62.7	44.4	35.8	25.4	19.9	16.7	14.4	11.3	9.30	7.98	5.01
12 FLB 250	310	250	212	183	159	141	103	82.0	57.4	45.9	32.3	25.4	21.3	18.4	14.4	11.8	10.1	6.38
12 FLB 300	332	268	227	193	167	149	111	87.8	61.5	49.1	34.6	27.2	22.8	19.7	15.5	13.0	11.1	6.86
12 FLB 350	385	313	265	226	197	175	130	103	72.0	57.6	41.5	32.6	27.4	23.6	18.6	15.6	13.3	8.23
12 FLB 400	443	357	303	257	223	198	148	117	82.0	65.5	46.1	36.2	30.4	26.2	20.7	17.3	14.8	9.14
12 FLB 450	494	402	340	290	253	224	166	132	92.4	73.9	53.2	42.1	35.6	30.8	24.2	19.7	16.8	10.5
12 FLB 500	513	424	358	306	273	246	188	154	108	86.4	62.3	48.9	41.0	35.4	28.0	23.3	19.9	12.3

▶ Constant Power Discharge Data Watts per cell to 1.90 Vpc at 77°F

Battery Type	Discharge Time (minutes)																	
	5	10	15	20	25	30	45	60	90	120	180	240	300	360	480	600	720	1200
12 FLB 100	112	87.4	73.0	61.1	52.8	47.1	34.7	27.4	19.3	15.4	11.1	8.72	7.31	6.32	4.99	4.11	3.49	2.20
12 FLB 150	147	120	101	87.2	76.7	68.4	51.2	41.3	28.9	23.1	16.8	13.3	11.2	9.73	7.76	6.40	5.44	3.38
12 FLB 200	205	169	141	120	107	95.7	71.5	57.2	40.5	32.6	23.5	18.5	15.5	13.3	10.5	8.69	7.43	4.65
12 FLB 250	261	218	189	164	144	128	95.6	75.8	53.2	42.6	29.9	23.5	19.7	17.0	13.4	11.0	9.36	5.92
12 FLB 300	280	230	195	169	149	132	101	80.3	56.7	45.6	32.1	25.2	21.1	18.2	14.5	12.2	10.4	6.34
12 FLB 350	323	267	228	198	176	157	119	94.5	67.0	54.0	38.5	30.2	25.3	21.9	17.4	14.6	12.5	7.61
12 FLB 400	373	306	260	225	198	176	134	107	75.6	60.8	42.8	33.5	28.1	24.3	19.4	16.3	13.9	8.45
12 FLB 450	415	343	292	254	226	201	152	121	85.9	69.3	49.4	39.2	33.1	28.7	22.5	18.4	15.5	9.72
12 FLB 500	427	359	308	268	239	215	169	138	99.1	81.0	57.7	45.3	38.0	32.8	26.2	22.0	18.7	11.4

FIAMM

FIAMM Technologies LLC, One FIAMM Way, Waynesboro, GA 30830 Tel. 888-77-FIAMM (888-773-4266)

Standby Batteries

HIGHLITE

FIAMM

VRLA RANGE *FLB*

CONSTANT CURRENT DISCHARGE DATA

Constant Current Discharge Data Amperes to 1.60 Vpc at 77°F

Battery Type	Discharge Time (minutes)																	
	5	10	15	20	25	30	45	60	90	120	180	240	300	360	480	600	720	1200
12 FLB 100	97.2	71.8	56.8	45.4	37.5	32.1	22.7	17.7	12.3	9.71	6.75	5.26	4.38	3.77	2.97	2.48	2.11	1.32
12 FLB 150	138	101	80.3	65.9	55.9	48.5	34.9	27.1	18.7	14.7	10.4	8.11	6.75	5.79	4.57	3.81	3.25	2.04
12 FLB 200	193	143	113	91.7	77.3	66.9	47.8	37.4	26.1	20.8	14.6	11.4	9.44	8.08	6.33	5.23	4.47	2.78
12 FLB 250	249	182	143	116	98.0	85.1	60.8	47.4	32.7	25.8	18.0	14.1	11.7	10.1	8.00	6.66	5.69	3.54
12 FLB 300	301	218	171	137	113	96.9	68.9	53.4	35.9	27.6	19.5	15.2	12.7	10.9	8.57	7.14	6.10	3.82
12 FLB 350	350	252	200	159	131	111	79.4	62.0	42.4	33.1	23.4	18.2	15.2	13.0	10.3	8.56	7.32	4.58
12 FLB 400	402	291	228	182	151	129	91.9	71.2	47.8	36.8	26.0	20.2	16.9	14.5	11.4	9.51	8.14	5.09
12 FLB 450	449	324	256	204	168	143	102	79.6	54.4	42.5	30.2	23.8	20.0	17.3	13.4	10.9	9.33	5.85
12 FLB 500	473	355	278	228	194	169	121	94.5	64.0	49.7	35.0	27.3	22.8	19.6	15.4	12.8	11.0	6.87

Constant Current Discharge Data Amperes to 1.65 Vpc at 77°F

Battery Type	Discharge Time (minutes)																	
	5	10	15	20	25	30	45	60	90	120	180	240	300	360	480	600	720	1200
12 FLB 100	92.5	69.3	55.3	44.1	36.6	31.4	22.3	17.4	12.1	9.57	6.67	5.20	4.33	3.72	2.93	2.45	2.10	1.32
12 FLB 150	132	97.1	77.7	63.9	54.5	47.4	34.0	26.5	18.3	14.5	10.3	8.01	6.69	5.73	4.53	3.77	3.22	2.03
12 FLB 200	182	137	110	89.4	75.6	65.4	46.9	36.8	25.7	20.6	14.5	11.2	9.35	8.01	6.28	5.19	4.42	2.75
12 FLB 250	234	174	138	113	95.5	83.2	59.7	46.7	32.2	25.4	17.9	13.9	11.6	10.0	7.93	6.60	5.63	3.51
12 FLB 300	288	209	166	132	110	93.9	67.0	52.1	35.2	27.2	19.2	15.0	12.5	10.7	8.49	7.07	6.03	3.81
12 FLB 350	331	243	194	154	127	109	77.4	60.8	41.7	32.7	23.1	18.0	15.0	12.9	10.2	8.49	7.24	4.57
12 FLB 400	383	279	222	176	147	125	89.4	69.5	46.9	36.3	25.6	20.0	16.7	14.3	11.3	9.43	8.04	5.08
12 FLB 450	425	312	249	198	163	140	99.4	78.1	53.5	42.0	29.9	23.6	19.9	17.1	13.3	10.8	9.25	5.84
12 FLB 500	439	329	263	216	186	163	118	92.7	63.0	49.0	34.6	27.0	22.6	19.3	15.3	12.7	10.9	6.86

Constant Current Discharge Data Amperes to 1.67 Vpc at 77°F

Battery Type	Discharge Time (minutes)																	
	5	10	15	20	25	30	45	60	90	120	180	240	300	360	480	600	720	1200
12 FLB 100	88.8	67.4	54.0	43.3	36.1	31.0	22.0	17.2	11.9	9.45	6.62	5.16	4.30	3.70	2.91	2.44	2.08	1.32
12 FLB 150	127	93.9	75.3	62.6	53.5	46.6	33.5	26.2	18.1	14.3	10.2	7.96	6.64	5.70	4.50	3.75	3.20	2.02
12 FLB 200	175	132	107	87.7	74.3	64.4	46.3	36.4	25.5	20.4	14.4	11.2	9.30	7.97	6.24	5.16	4.41	2.74
12 FLB 250	226	169	134	111	94.0	82.1	59.0	46.2	32.0	25.2	17.8	13.9	11.6	9.98	7.88	6.56	5.59	3.48
12 FLB 300	279	203	161	129	108	92.3	65.9	51.4	34.8	27.0	19.1	14.9	12.5	10.7	8.45	7.03	6.01	3.79
12 FLB 350	319	234	188	150	125	107	76.6	60.2	41.3	32.4	22.9	17.9	14.9	12.8	10.1	8.44	7.21	4.55
12 FLB 400	372	270	215	172	144	123	87.9	68.5	46.4	36.0	25.4	19.9	16.6	14.3	11.3	9.38	8.01	5.06
12 FLB 450	410	301	241	193	160	137	98.3	77.2	53.0	41.6	29.8	23.5	19.8	17.0	13.2	10.8	9.21	5.82
12 FLB 500	419	317	255	211	182	160	116	91.2	62.3	48.7	34.3	26.8	22.4	19.2	15.2	12.7	10.8	6.83

Standby Batteries

FIAMM

www.fiammamerica.com



HIGHLITE

VRLA RANGE FLB

CONSTANT CURRENT DISCHARGE DATA

Constant Current Discharge Data Amperes to 1.70 Vpc at 77°F

Battery Type	Discharge Time (minutes)																	
	5	10	15	20	25	30	45	60	90	120	180	240	300	360	480	600	720	1200
12 FLB 100	86.3	66.1	53.1	42.8	35.7	30.7	21.8	17.0	11.8	9.38	6.58	5.13	4.28	3.68	2.90	2.43	2.07	1.31
12 FLB 150	123	91.8	73.7	61.7	52.9	46.1	33.1	26.0	18.0	14.3	10.2	7.93	6.61	5.68	4.49	3.74	3.20	2.02
12 FLB 200	170	129	105	86.5	73.5	63.8	45.9	36.1	25.4	20.3	14.3	11.1	9.27	7.93	6.22	5.14	4.39	2.72
12 FLB 250	220	165	132	109	93.1	81.3	58.5	45.9	31.8	25.1	17.7	13.8	11.5	9.94	7.85	6.54	5.56	3.47
12 FLB 300	273	199	158	127	106	91.3	65.2	50.9	34.6	26.9	18.9	14.8	12.4	10.7	8.41	7.01	5.99	3.78
12 FLB 350	312	229	184	148	123	106	76.1	59.7	41.1	32.3	22.7	17.8	14.9	12.8	10.1	8.41	7.19	4.54
12 FLB 400	364	265	211	170	142	122	87.0	67.9	46.1	35.9	25.3	19.8	16.5	14.2	11.2	9.34	7.99	5.04
12 FLB 450	400	293	236	190	158	136	97.6	76.6	52.7	41.4	29.6	23.4	19.7	17.0	13.2	10.7	9.19	5.80
12 FLB 500	406	309	250	208	179	158	114	90.3	61.8	48.4	34.1	26.7	22.3	19.2	15.1	12.6	10.8	6.81

Constant Current Discharge Data Amperes to 1.75 Vpc at 77°F

Battery Type	Discharge Time (minutes)																	
	5	10	15	20	25	30	45	60	90	120	180	240	300	360	480	600	720	1200
12 FLB 100	81.4	62.7	50.6	41.1	34.5	29.8	21.1	16.6	11.6	9.21	6.47	5.04	4.21	3.62	2.86	2.39	2.04	1.29
12 FLB 150	113	86.5	69.9	58.9	50.8	44.5	32.4	25.4	17.6	13.9	9.91	7.77	6.51	5.59	4.40	3.68	3.14	1.98
12 FLB 200	159	120	98.0	81.8	70.4	61.6	44.7	35.2	24.8	19.9	14.1	11.0	9.12	7.82	6.12	5.07	4.30	2.69
12 FLB 250	202	155	125	104	89.7	78.7	57.0	45.0	31.2	24.7	17.4	13.6	11.4	9.78	7.70	6.43	5.48	3.42
12 FLB 300	239	182	145	118	99.4	86.2	62.3	48.9	33.6	26.5	18.6	14.6	12.2	10.5	8.25	6.89	5.89	3.72
12 FLB 350	277	213	170	140	117	102	73.3	57.9	40.1	31.8	22.3	17.5	14.7	12.6	9.90	8.27	7.06	4.46
12 FLB 400	319	243	193	157	133	115	83.0	65.2	44.8	35.3	24.8	19.4	16.3	14.0	11.0	9.19	7.85	4.96
12 FLB 450	356	273	219	179	150	131	94.1	74.3	51.5	40.7	29.1	23.0	19.4	16.7	13.0	10.6	9.03	5.75
12 FLB 500	358	281	230	195	169	149	110	87.0	60.2	47.6	33.5	26.2	22.0	18.9	14.9	12.4	10.6	6.69

Constant Current Discharge Data Amperes to 1.80 Vpc at 77°F

Battery Type	Discharge Time (minutes)																	
	5	10	15	20	25	30	45	60	90	120	180	240	300	360	480	600	720	1200
12 FLB 100	75.4	58.9	47.5	39.1	33.0	28.7	20.4	16.1	11.2	8.92	6.30	4.92	4.11	3.53	2.81	2.35	2.00	1.26
12 FLB 150	102	79.7	65.7	55.7	48.2	42.4	31.0	24.5	17.0	13.5	9.67	7.58	6.36	5.48	4.33	3.61	3.08	1.93
12 FLB 200	145	111	92.3	77.8	67.0	58.7	43.0	34.1	24.1	19.4	13.8	10.7	8.94	7.66	6.00	4.97	4.21	2.64
12 FLB 250	184	142	118	99.4	86.2	75.8	55.2	43.7	30.4	24.2	17.0	13.3	11.1	9.59	7.57	6.33	5.40	3.36
12 FLB 300	198	156	128	107	92.4	81.2	59.2	46.8	32.6	25.9	18.2	14.2	11.9	10.3	8.11	6.78	5.78	3.62
12 FLB 350	233	186	151	127	109	96.1	71.0	56.2	39.0	30.9	21.8	17.1	14.3	12.3	9.74	8.13	6.94	4.34
12 FLB 400	265	207	171	142	123	108	78.9	62.4	43.4	34.5	24.3	19.0	15.9	13.7	10.8	9.04	7.71	4.83
12 FLB 450	299	238	193	163	140	123	91.1	72.1	50.1	39.7	28.2	22.4	19.0	16.4	12.7	10.4	8.87	5.55
12 FLB 500	315	252	210	180	159	141	106	84.4	58.6	46.4	32.8	25.7	21.5	18.4	14.6	12.2	10.4	6.52



FIAMM Technologies LLC, One FIAMM Way, Waynesboro, GA 30830 Tel. 888-77-FIAMM (888-773-4266)

HIGHLITE

VRLA RANGE *FLB*



CONSTANT CURRENT DISCHARGE DATA

▶ Constant Current Discharge Data Amperes to 1.85 Vpc at 77°F

Battery Type	Discharge Time (minutes)																	
	5	10	15	20	25	30	45	60	90	120	180	240	300	360	480	600	720	1200
12 FLB 100	67.1	52.9	43.2	35.9	30.7	26.7	19.3	15.2	10.6	8.51	6.03	4.68	3.89	3.35	2.67	2.21	1.89	1.19
12 FLB 150	89.5	71.6	59.7	50.8	44.0	38.9	28.8	22.9	16.0	12.8	9.13	7.22	6.10	5.26	4.15	3.46	2.96	1.83
12 FLB 200	126	101	84.6	71.2	61.5	54.2	40.1	31.7	22.4	18.0	12.7	10.0	8.39	7.23	5.67	4.65	3.99	2.51
12 FLB 250	160	128	108	93.1	80.6	71.6	52.3	41.4	29.0	23.1	16.2	12.7	10.7	9.20	7.19	5.92	5.06	3.19
12 FLB 300	171	137	116	98.2	85.1	75.4	56.1	44.4	31.0	24.7	17.4	13.6	11.4	9.86	7.78	6.49	5.54	3.43
12 FLB 350	199	161	135	115	100	88.7	65.7	51.9	36.3	29.0	20.9	16.4	13.7	11.8	9.34	7.79	6.65	4.11
12 FLB 400	229	183	155	131	113	101	74.8	59.2	41.4	33.0	23.2	18.2	15.2	13.1	10.4	8.65	7.39	4.57
12 FLB 450	255	206	174	148	129	114	84.3	66.6	46.6	37.2	26.7	21.2	17.9	15.5	12.1	9.88	8.40	5.26
12 FLB 500	265	218	183	156	139	125	95.1	77.8	54.5	43.5	31.3	24.5	20.6	17.7	14.0	11.7	9.98	6.17

▶ Constant Current Discharge Data Amperes to 1.90 Vpc at 77°F

Battery Type	Discharge Time (minutes)																	
	5	10	15	20	25	30	45	60	90	120	180	240	300	360	480	600	720	1200
12 FLB 100	57.8	44.8	37.3	31.1	26.8	23.9	17.6	13.9	9.72	7.77	5.59	4.38	3.67	3.17	2.50	2.06	1.75	1.10
12 FLB 150	75.8	61.3	51.9	44.4	39.0	34.7	25.9	20.9	14.6	11.6	8.46	6.69	5.64	4.88	3.88	3.20	2.72	1.69
12 FLB 200	106	86.6	72.2	61.4	54.3	48.6	36.2	28.9	20.4	16.4	11.8	9.26	7.76	6.64	5.23	4.35	3.72	2.32
12 FLB 250	135	112	96.6	83.5	73.0	65.1	48.4	38.3	26.8	21.4	15.0	11.8	9.87	8.53	6.71	5.52	4.68	2.96
12 FLB 300	145	118	99.6	86.0	75.5	67.0	50.9	40.6	28.6	23.0	16.1	12.6	10.6	9.14	7.28	6.11	5.20	3.17
12 FLB 350	167	137	116	101	89.7	79.5	60.2	47.8	33.8	27.2	19.3	15.2	12.7	11.0	8.74	7.33	6.24	3.80
12 FLB 400	193	157	133	115	101	89.4	67.9	54.1	38.1	30.6	21.5	16.8	14.1	12.2	9.71	8.14	6.94	4.23
12 FLB 450	214	176	149	130	115	102	77.2	61.3	43.3	34.9	24.8	19.7	16.6	14.4	11.3	9.19	7.77	4.86
12 FLB 500	220	184	158	137	122	109	85.5	69.6	50.0	40.8	29.0	22.7	19.0	16.5	13.1	11.0	9.36	5.70

Standby Batteries



www.fiammamerica.com